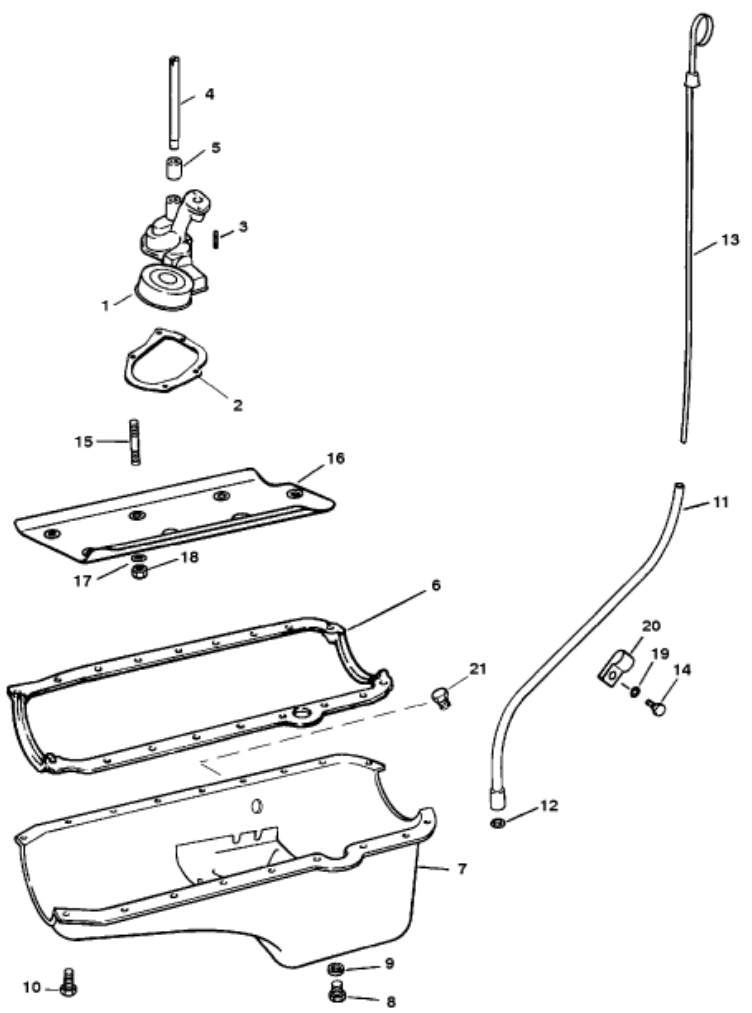


Parts List



| Ref | Class | Part | Description | Qty | Comment | Footnote |
|-----|-------|-----------|------------------------|-----|---------|----------|
| 1 | | 827589A 1 | PUMP ASSEMBLY-Oil | 1 | | |
| 2 | | F15000254 | GASKET-Oil Pump Cover | 1 | | 25 |
| 3 | 16 | 49108 | STUD | 1 | | |
| 4 | | 14761 | SHAFT | 1 | | |
| 5 | 23 | 36183 | RETAINER | 1 | | |
| 6 | 27 | 811566 | GASKET | 1 | | 25 |
| 7 | | 811549 | PAN ASSEMBLY-Oil | 1 | | |
| 8 | 22 | 808708 | PLUG-Oil Drain | 1 | | |
| 9 | 27 | 49955 | GASKET-Oil Drain Plug | 1 | | |
| 10 | 10 | 808707 | SCREW (.312-18 x .625) | 20 | | |
| 11 | | 818631A 6 | TUBE ASSEMBLY-Dipstick | 1 | | |
| 12 | 25 | 62704 | O RING | 1 | | 25 |
| 13 | | 805567T | DIPSTICK-Oil Level | 1 | | |
| 14 | 10 | 66293 | SCREW (.250-20 x .500) | 1 | | |
| 15 | 16 | 811683 | STUD | 5 | | |
| 16 | | 811682 | BAFFLE | 1 | | |
| 17 | 12 | 20553 | WASHER | 5 | | |
| 18 | 11 | 37500 | NUT | 5 | | |
| 19 | 13 | 26992 | LOCKWASHER (.250) | 1 | | |
| 20 | 54 | 822279 | CLIP | 1 | | |
| 21 | 22 | 36373 | PLUG-Oil Pan | 1 | | |
| - | 27 | 818572A94 | Gasket Set | - | | |